

Visit us online now:
torreypinesscientific.com

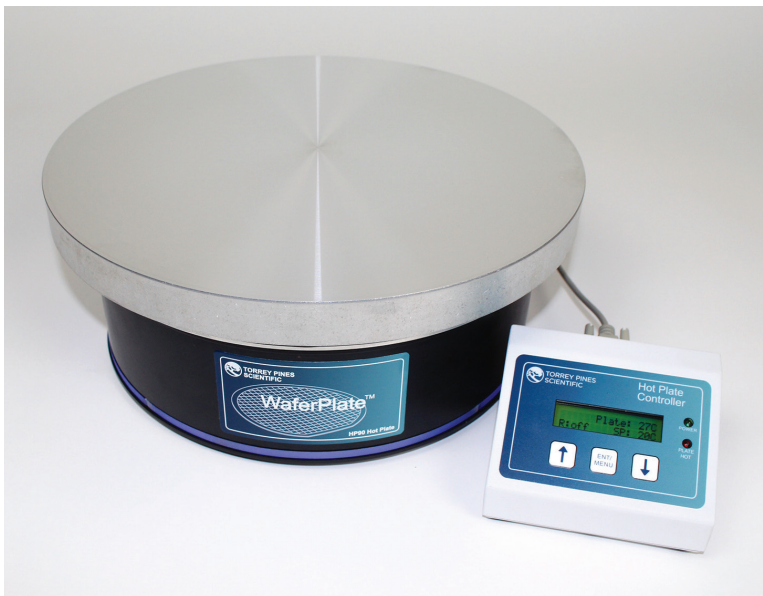
760-930-9400

Toll Free within the USA:
866-573-9104

PRODUCT DATA SHEET

MODEL HP90 WAFERPLATE™ PROGRAMMABLE DIGITAL HOT PLATE

Large circular 13.875" (352.4 mm) milled-flat aluminum surface with temperature uniformity better than 1% across the entire surface. Designed specifically for working with 12" (304.8 mm) silicon wafers and other samples where temperature accuracy and surface uniformity is a must.



Model HP90 WaferPlate
with Controller

- Temperature range from room temperature to 350°C
 - Readable and settable to 1°C
 - Accuracy 1% of setting
 - Uniformity of temperature from the middle of the plate surface to within 0.75" of sides better than 1%
 - Temperature stability +/- 1°C
 - Calibrated to 0.1°C for guaranteed accuracy
 - Remote controller enables storing 5 individual programs with up to 10 steps per program for a variety of hands-off, repeatable sample runs
 - Programs automatically repeatable from 1 to 99 times or infinitely if wanted
 - Ramp temperature up or down at 1°C increments from 1°C to 450°C per hour
 - 1500 watts of heater power
 - Unique temperature indicator lighting ring at bottom sides of chassis. Colors change from blue (no temperature target), to yellow (when heating below 50°C) to red (when heater plate surface is above 50°C)
 - Built-in countdown timer to 99 hours with audible alarm and user settable Auto-Off
 - UL, CSA, and CE approvals pending
- 13.875" (352.4 mm) diameter circular heater surface. Milled flat plate aluminum. Ideal for 12" (304.8 mm) or smaller silicon wafers
 - Controllable remotely from a PC or industrial controller via RS232 I/O port with full access to all parameters and data
 - Bench top controllable and programmable using the remote controller provided

Visit us online now:
torreypinesscientific.com

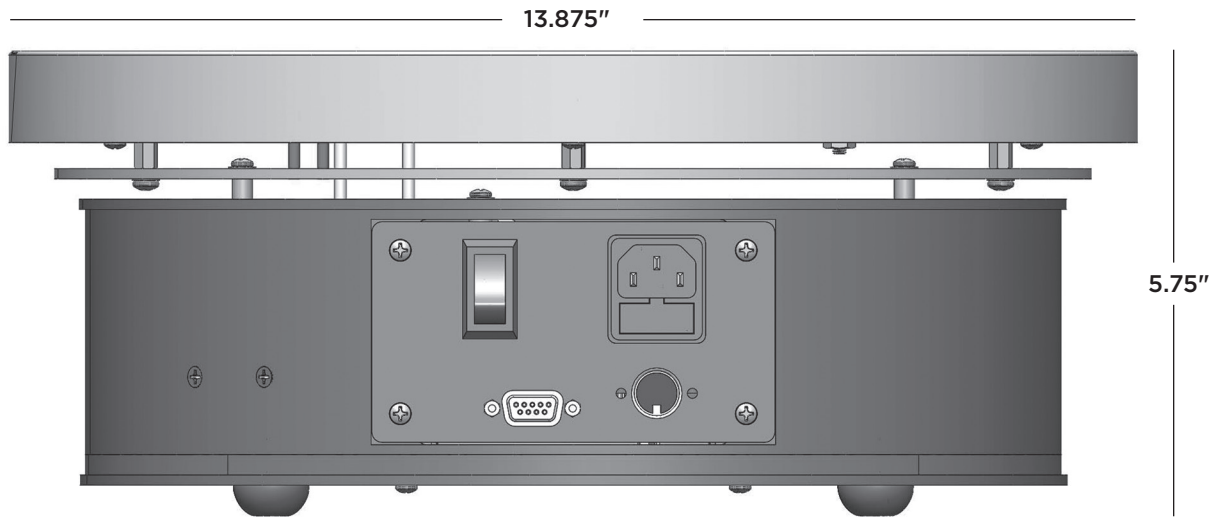
760-930-9400

Toll Free within the USA:
866-573-9104

PRODUCT DATA SHEET

MODEL HP90

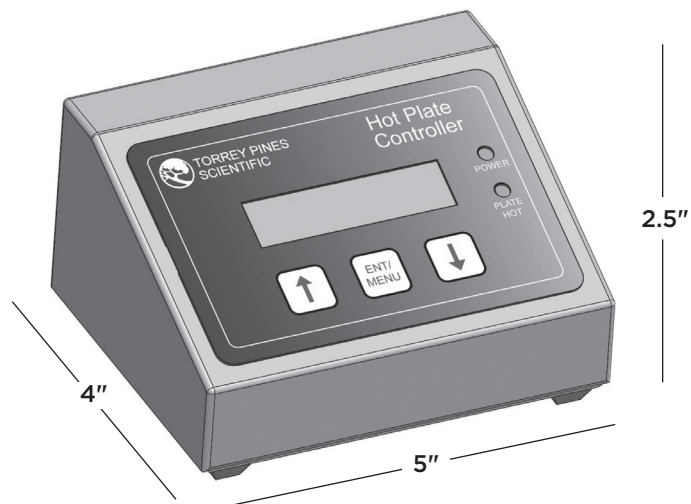
WAFERPLATE™ HEATER MODULE AND CONTROL MODULE



HEATER MODULE DIMENSIONS

13.875" (352.4 mm) diameter x
5.75" (146 mm) tall

Weight: 21.5 pounds (9.54 kg)



CONTROL MODULE DIMENSIONS

5" (127 mm) wide x 2.5" (63.5 mm)
tall x 4" (101.6 mm) deep

Weight: 1.5 pounds (0.54 kg)



The Right Source For Your Test & Measurement Needs

8715 Mesa Point Terrace San Diego, CA 92154
Toll Free: 1.866.363.6634 Tel: 1.619.429.4545 Fax: 1.619.374.7012
Email: sales@calright.com <http://www.calright.com>