

AURA (Auto Return Rundown Adapters)

Rev 3.0 (5/9/2011)

The AURA is designed to provide consistent and reliable torque readings for use with power driven torque control tools. It is ideal for testing and recording the results of power tools with a torque analyzer or sensor. The AURA will reduce the impact and irregular peaks that cause poor repeatability. The AURA has an effective torque range and will supply repeatable torque data within that range if used correctly. It is not designed for testing Pulse tools.

Spring Selection

The AURA includes two springs to cover the torque range of 1 - 50 lbf.in. The AURA is supplied with light spring (25i) assembled into unit. For applications of 25-50 lbf.in, install heavy spring

Torque Ranges

Light Spring

1 - 25 lbf.in (0.100" wire dia.)

Heavy Spring

25 -50 lbf.in (0.135" wire dia.)

1. To change springs twist Output ring.
2. Remove spring.
3. Place the spring in that will cover the torque range that you will be measuring.
4. Tighten Output ring.

Operation

1. Select the spring for the torque range that you measuring. (See Spring Selection).
2. The AURA is mounted in-line between the tool drive and torque analyzer or transducer.
3. The torque analyzer or transducer should be properly secured on a solid surface or a test bench.
4. The AURA is designed to run in clockwise direction only.
5. Apply torque until the tool being tested shuts off. Then note or save reading with the torque analyzer.
6. Once the tool shuts off, the AURA automatically unwinds for the next run down. It eliminates the need to back it out.

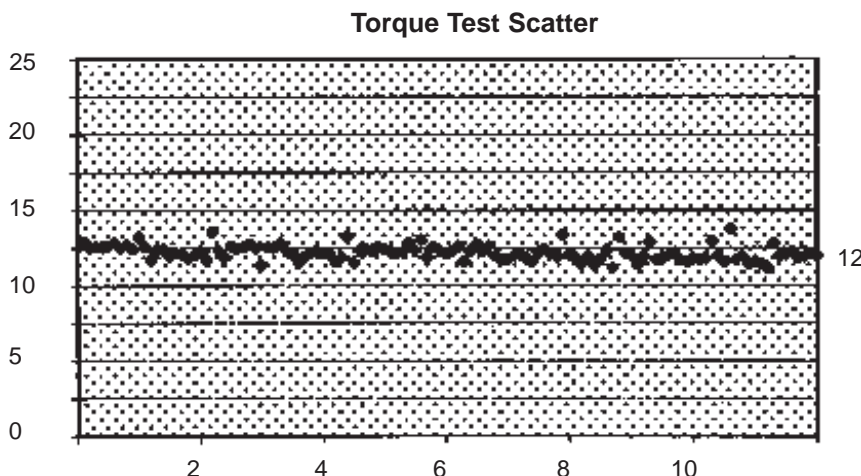
Torque Test Scatter Graph

The graph below shows torque values recorded after each test run.

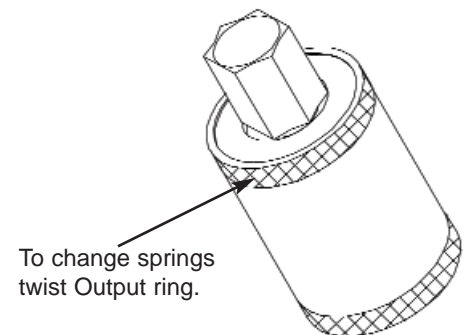
Mean Torque: 11.72 lbf.in

Standard Deviation: 1.53 lbf.in

Mountz AURA is designed to provide minimal scattering when used with a reliable and repeatable power tools, transducers and torque analyzers. The test equipment and method that are used will affect the performance of the run down adapters.



Output (17mm Hex or 1/4 M/Sq.)



Input 1/4 F/Sq.

Contact
Mountz Inc.
 Phone: 408.292.2214
 Fax: 408.292.2733
 sales@mountztorque.com
 www.mountztorque.com

Looking for fasteners?
 www.mrmetric.com

