

LAQUA



pH	ORP	Ion	Conductivity
Resistivity	TDS	DO	Salinity

Handheld Water Quality Meters
LAQUAact 100 Series

LAQUA^{act}

In the lab, in the field or anywhere you need it

100 Series Water Quality Instruments



Easy to carry

The compact and ergonomic design is easy to carry and includes an electrode hook attachment that allows up to 2 electrodes to be attached on either side of the meter.



Shock-resistant

Polycarbonate resin* used in automobiles and mobile phones has been adopted to enhance shock resistance.
*It has about twice the shock resistance of conventional ABS resin.



Waterproof and dustproof

IP67 rated waterproof and dustproof casing.
*IP67: Fully waterproof for approximately 30 minutes in 1 meter of water.



Rugged carry-case

Moulded carry-case houses meter as well as the sensors, calibrating solutions, manuals, and batteries. Convenient for field measurement and safe storage place for meter and accessories

9651-10D plastic body gel-filled pH electrode

- pH range 0 to 14
- Temp range 0 to 60°C
- Porous sintered polyethylene liquid junction
- With integrated temperature sensor
- Waterproof, Lead-free glass
- 1m cable with BNC & phono jack connectors



Extended operation

Uses about 10% of the power compared to conventional meters. With up to 1000 hrs of use, long periods of field work is possible.

CAL MEAS DATA



One hand operation

Slim body fits in your hand. Only three basic operation buttons for one-hand operability.



Auto Hold or Auto-Stable functions

- In auto hold mode, meter freezes LCD when readings are stable
- Auto-stable mode continuously refreshes readings on LCD with stability indicator



Visible LCD in dark places

Backlight allows reading of measured values even in the dark.

Large LCD screen

- Large 64mm by 52mm screen allows for clear view of readings, diagnostic messages
- Backlight available in selected models

Dual-display screen (PH 130, FC 110 & PD 110)

- Dual channel meters feature dual display screen
- Simultaneous independent measurements of both channels
- Independent setup for each channel

TDS calibration curves

TDS models include predetermined standard curves for more accurate TDS readings across the measurement range. For convenience, calibration is only performed in EC mode.

Application	Environmental	Boiler water, HVAC	Aquaculture, pickling
Key chemical species	EN standard for environmental water	Na ₂ SO ₄ , NaHCO ₃ , NaCl	NaCl
	EN27888 curve	442 (Myron) curve	NaCl curve
TDS selection			



Model	PH 110 pH/ORP/Temp (°C)	PH 120 pH/ORP/Temp (°C)	PH 130 Dual Channel pH/ORP/Ion/Temp (°C)
pH range	-2.00 to 16.00 pH	-2.00 to 16.00 pH	-2.00 to 16.00 pH
Resolution	0.01 pH	0.01 pH	0.01 pH
Accuracy	±0.01 pH	±0.01 pH	±0.01 pH
Cal points	5	5	5
Buffer options	USA, NIST	USA, NIST, Custom	USA, NIST, Custom
ORP range	±2000 mV	±2000 mV	±2000 mV
Resolution	1 mV	1 mV	1 mV
Accuracy	±1 mV or 1% of reading (whichever is greater)	±1 mV or 1% of reading (whichever is greater)	±1 mV or 0.2% of reading (whichever is greater)
Ion range	—	—	0.00 µg/l to 1999 g/l
Resolution	—	—	3 significant digits
Accuracy	—	—	±0.8% full scale
Cal points	—	—	Up to 5
Temperature range	-30.0 °C to 130 °C	-30.0 °C to 130 °C	-30.0 °C to 130 °C
Resolution	0.1 °C	0.1 °C	0.1 °C
Accuracy	±0.4 °C	±0.4 °C	±0.4 °C
Cal option	Yes	Yes	Yes
Memory	100	1000	1000
AutoData-logging	—	Yes	Yes
Real time clock	—	Yes	Yes
Date/time stamping	—	Yes	Yes
Auto Shut-off	Yes (programmable: 1 to 30 mins)	Yes (programmable: 1 to 30 mins)	Yes (programmable: 1 to 30 mins)
Auto-Hold	Yes	Yes	Yes
Averaging/Stability	Yes, Automatic	Yes, Automatic	Yes, Automatic
Offset display	Yes	Yes	Yes
Slope display	Yes (independent acid and alkaline slopes depending on calibration)	Yes (independent acid and alkaline slopes depending on calibration)	Yes (independent acid and alkaline slopes depending on calibration)
Cal Alarm	—	Yes (programmable: 1 to 400 days)	Yes (programmable: 1 to 400 days)
Electrode status	On screen display	On screen display	On screen display
Diagnostic messages	Yes	Yes	Yes
Display	Custom LCD	Custom LCD with backlight	Custom LCD with backlight
Inputs	BNC, phono, DC sockets	BNC, phono, DC sockets	2 x BNC, 2 x phono, DC sockets
Outputs	—	RS232C	RS232C
IP rating	IP67, shock resistant	IP67, shock resistant	IP67, shock resistant
Power requirements	2 x 'AAA' or LR03 or Ni-MH rechargeable batteries or power adaptor	2 x 'AAA' or LR03 or Ni-MH rechargeable batteries or power adaptor	2 x 'AAA' or LR03 or Ni-MH rechargeable batteries or power adaptor
Battery life	> 1000 hrs	> 1000 hrs	> 500 hrs

Kit* includes:	PH110-K Waterproof pH/ORP handheld meter (3999960167)	PH120-K Waterproof pH/ORP handheld data meter (3999960168)	PH130-K Waterproof pH/ORP/Ion handheld data meter (3999960169)
	<ul style="list-style-type: none"> PH110 meter 9651-10D plastic-body, gel-filled pH electrode pH 4.01, 7.00, 10.01 solutions (60ml) carry case 	<ul style="list-style-type: none"> PH120 meter 9651-10D plastic-body, gel-filled pH electrode pH 4.01, 7.00, 10.01 solutions (60ml) carry case 	<ul style="list-style-type: none"> PH130 meter 9651-10D plastic-body, gel-filled pH electrode pH 4.01, 7.00, 10.01 solutions (60ml) carry case

*Kit with NIST buffers set is available upon request. Add 'N' suffix to order code when ordering

pH Solution Kits

Name	Type	Specification	Volume	Part No.
NIST pH Buffer Solution Kit	501-S	(4.01/6.86/9.18/3.33M KCl)	250ml ea	3999960015
USA pH Buffer Solution Kit	502-S	(4.01/7.00/10.01/3.33M KCl)	250ml ea	3999960016

pH Solutions

Name	Type	Specification	Volume	Part No.
Buffer Solution at 25°C	500-2	pH 1.68	500ml	3999960028
	500-4	pH 4.01	500ml	3999960029
	500-686	pH 6.86	500ml	3999960030
	500-7	pH 7.00	500ml	3999960031
	500-9	pH 9.18	500ml	3999960032
	500-10	pH 10.01	500ml	3999960033
	500-12	pH 12.46	500ml	3999960034

Conductivity Solution Kit

Name	Type	Specification	Volume	Part No.
Conductivity Standard Solution Kit	503-S	(84 uS/cm; 1413 uS/cm; 12.88 mS/cm; 111.8 mS/cm)	250ml ea	3999960017

Conductivity Solutions

Name	Type	Specification	Volume	Part No.
Conductivity Standard Solution at 25°C	500-21	84 uS/cm	500ml	3999960035
	500-22	1413 uS/cm	500ml	3999960036
	500-23	12.88 mS/cm	500ml	3999960037
	500-24	111.8 mS/cm	500ml	3999960038

Accessories

Name	Description	Part No.
Printer (for GLP / GMP compliance)	US version 120V (does not include printer cable)	3014030146
	EU version 230V (does not include printer cable)	3014030147
Printer cable	1.5 m	3014030148
Printer paper	20 rolls	3014030149
Ink ribbon	5 pcs/set	3014030150
Universal AC adapter	Multi-voltage (100-240V) with 6 plugs, 1.5m cable	3200647413
Digital simulator X-51	pH, mV, Ion, DO, temperature simulator	3014028368
Digital simulator X-52	Conductivity, temperature simulator	3014028370
Serial cable	Cable to connect meter and PC (Serial, 9 pins)	3014030151
Electrode hook	With function for winding the cable	3200528475
DP-70S Electrode stand (adjustable type)	With holder for D/ES/OM-70 / 100 Series	3200528474



Electrode Cleaning Solutions

- For removing inorganic sample residues from glass electrodes, and for cleaning liquid junctions

Name	Type	Volume (ml)	Part No.
Cleaning Solution		220	50 x 2 pcs
			3014028653

- For removing protein containing sample residues from glass electrodes, and for cleaning liquid junctions.

Name	Type	Volume (ml)	Part No.
Cleaning Solution		250	400
			3200366771



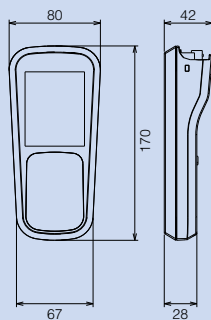
Electrodes*

Name	Description	Part No.
9651-10D	Plastic-body, gel-filled pH electrode with integrated temperature sensor	3200642020
9382-10D	Plastic-body, k=1.0 Titanium / Platinum black conductivity cell with integrated temperature sensor	3014046709
9551-20D	Galvanic DO probe with integrated temperature sensor and 2m cable	3014047090

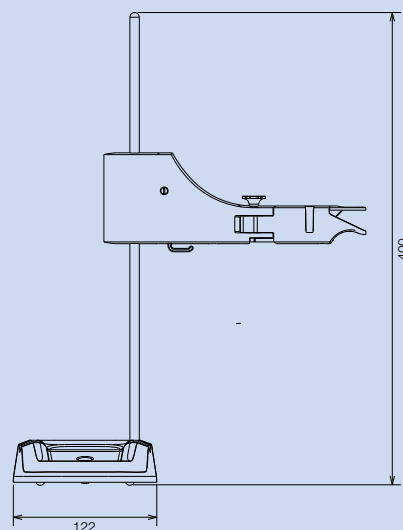
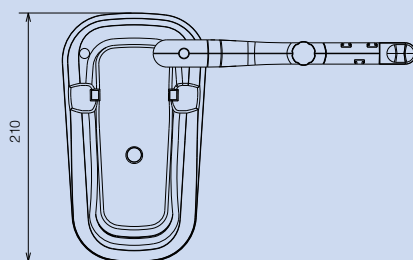
*Electrodes carry a 6-month warranty against manufacturing defects only

Dimensions Unit: mm

100 Series / D-70 Series /
ES-70 Series / OM-70 Series



Electrode Stand (DP-70S)



Visit **HORIBA's website!**

Water Quality Analyzers www.horiba-laqua.com

With over 60 years of engineering excellence, HORIBA's diverse range of water quality analyzers and electrodes are ideal for everyday laboratory needs through to the most demanding of applications. Visit our website for a wealth of useful information and water quality measurement tips to help you obtain the best results in your work.



Electrodes

HORIBA's superior electrode technology has been employed in manufacturing our unparalleled tough pH glass bulbs and unique flat sensors. Our electrodes have different designs to cater a wide range of applications—from pure water to complex samples. Select the suitable electrode that is specially designed for your application.





Bench Meters

Developed using extensive feedback from users, our new LAQUA meters deliver the best solution for water quality analysis. Our LAQUA website features an online 'Selection Guide' to enable you to find the perfect LAQUA meter and electrode for your need.



Pocket Meters

Analyzing water quality is simplified when using our LAQUAtwin range of meters. Designed to produce accurate and reliable results. Anyone, anywhere, at any time can measure samples easily with a LAQUAtwin meter. See just how good they are at our website.



Application Notes

LAQUAtwin pocket meters offer quick and convenient alternative to analyze important parameters with high accuracy. Several application notes are available at (<http://goo.gl/znwE6j>) detailing the use of LAQUAtwin and the results achieved for the respective applications. Additional application notes will be added when available.

SUPPORT HORIBA CUSTOMER SUPPORT SYSTEM

HORIBA offers a variety of services to conform to quality standards and international guidelines such as GLP, GMP and ISO

Technical Support

Please contact us with any technical questions about our products.

www.horiba.com/wq/support

User Support

Our support website is available for registered customers and features:

- Data collection software
- Instruction manual downloads
- Measurement tips, etc.

www.horiba.co.jp/register

Validation Support

Please contact us with any questions or requirements for your validation procedure.

- Traceability certification*
- IQ/OQ/PQ support*
- SOP guidance
- FAQ

*Optional services