

MODEL: SE-G

PROXIMITY GEAR SENSOR

GENERAL:

Model SE-G is a solid state proximity switch especially designed for gear sensing. The SE-G sensor will provide a square wave signal output and indicate detection via LED indicator on rear of unit. Maximum switching frequency is 8kHz with an maximum sensing distance of 1.0mm, gear pitch must be between 25.4 (min) and 16.93 (max).

MOUNTING:

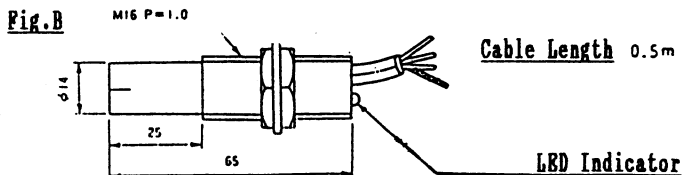
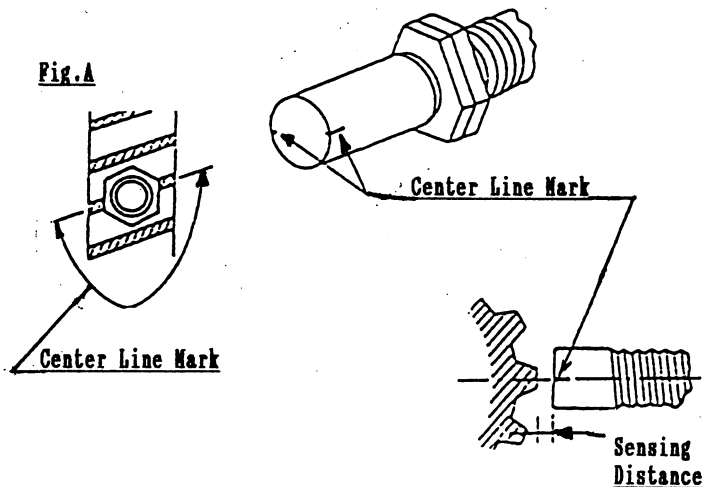
When mounting unit be sure to align center line mark on sensor with the center line of teeth on the gear.

Refer to Fig. A.

Connections:

See Fig. B

Power (Vcc)	+8.5v - 16VDC
Sink Current	40mA maximum
Output Signal High Level	(Vcc - 1.1) ±10%
Output Signal Low Level	0.4v or less
Output Power	50mA
Duty Cycle	25 - 75%
Output Impedance	2.2kΩ
Operational Temperature	-4°F - +158°F -20°C - +70°C



RED: 12V
WHITE: SIGNAL
BLACK: 0V
BRAID: SHIELD