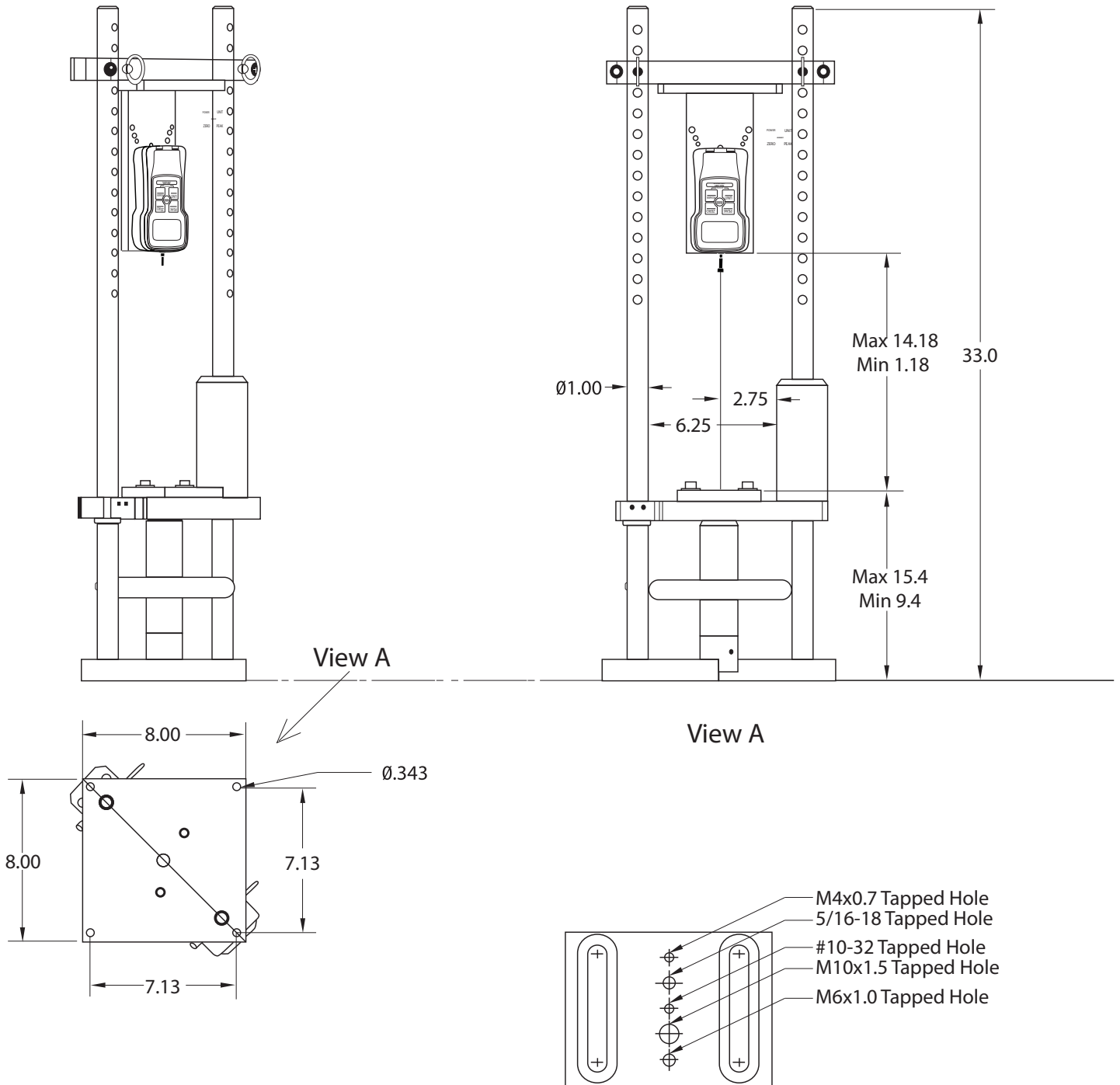


DART 2.0 FGS-1000H MANUAL TEST STAND DIMENSIONS

Capacity: 1000 lbs (2500N, 500Kg)



NOTE: DART 2.0 force gauge shown is optional