

TCM

Bottle & Cap Torque Analyzers

KEY FEATURES

Accuracy $\pm 4\%$ of reading from 20% to 100% of full scale

The versatile clamping jaws securely holds a multitude of shapes and sizes within its changeable grips. It contains a maximum grip capacity of 135mm round or square.

Perfect for testing and measuring the tightness of screw-on caps for items like bottles, jars, and cans.

Certification of calibration traceable to the National Institute of Standards and Technology (NIST) supplied with all models.

Bi-directional.

Auto-stop style pointer with manual reset.

Easy to read dual scale.

Check that the correct torque has been applied to caps to ensure quality product:

- Minimal leakage and deterioration
- Safe storage and transportation
- Correctly sealed yet easy to open



CERTIFIED

Supplied with NIST-Traceable Certification of Calibration



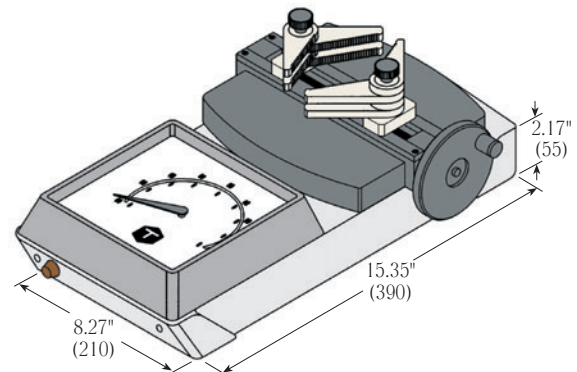
EASY TO USE

Simply place jar into jaws, clamp jar snug (don't over clamp), then push the red reset button on the front of unit.

Then twist lid and read the torque measured on the dial indicator.

Model	Item #	Torque Ranges	
		American	S.I.
TCM1	020094	10 - 140 ozf.in	7 - 100 cN.m
TCM5	020095	3 - 45 lbf.in	0.3 - 5.0 N.m
TCM10	020096	4 - 90 lbf.in	0.5 - 10 N.m
TCM15	020097	4 - 132 lbf.in	1 - 15 N.m

Model	Graduation		Weight	
	American	S.I.	lbs.	kg.
TCM1	2 ozf.in	1 cN.m	15.2	6.9
TCM5	0.5 lbf.in	0.05 N.m	15.2	6.9
TCM10	1 lbf.in	0.1 N.m	15.2	6.9
TCM15	2 lbf.in	0.2 N.m	15.2	6.9



The Right Source For Your Test & Measurement Needs

2222 Verus Street Suite C San Diego CA 92154 USA
 Toll Free: 866.363.6634 Tel: 619.429.4545 Fax: 619 374.7012
 Email: sales@calright.com <http://www.calright.com>