

**ACCURACY**

\*\* Accuracy:  $\pm(0.015\%$  of reading\*),  $\pm(0.025\%$  of reading\*), or  $\pm(0.05\%$  of reading)

Repeatability:  $\pm 0.005\%$  of reading

Temperature Coefficient:  $\pm 0.00167\%$  of rdg / °C outside of 23°C

\* Down to 10 inH<sub>2</sub>O.

$\pm(0.05\%$  of reading) below 10 inH<sub>2</sub>O

\*\* See ordering information for details.

**WEIGHT MASSES**

Pressure Range: **0.145 to 30 psi / 1 to 200 kPa**

Gravity: **9.80655 m/s<sup>2</sup> (International standard)**  
**Local Gravity (Specify)**

Available Units: **psi, g/cm<sup>2</sup>, mbar, bar, inH<sub>2</sub>O, cmH<sub>2</sub>O, mmHg**

Water Column Reference: **20°C (ISA standard)**

**60°F (AGA standard, specify when ordering)**

**PRESSURE SOURCE**

Source: **Nitrogen or Instrument /Shop air** ♦

Maximum Supply Pressure: **100 psi / 689 kPa**

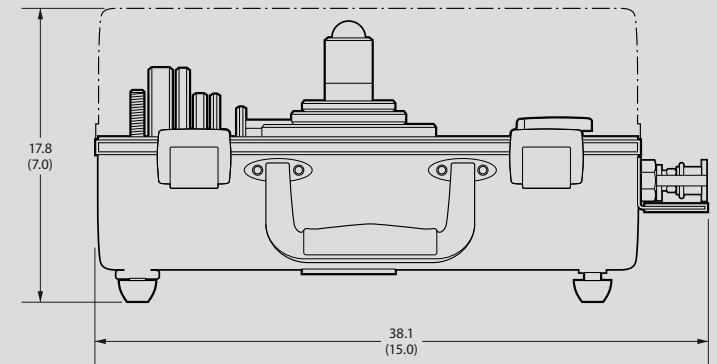
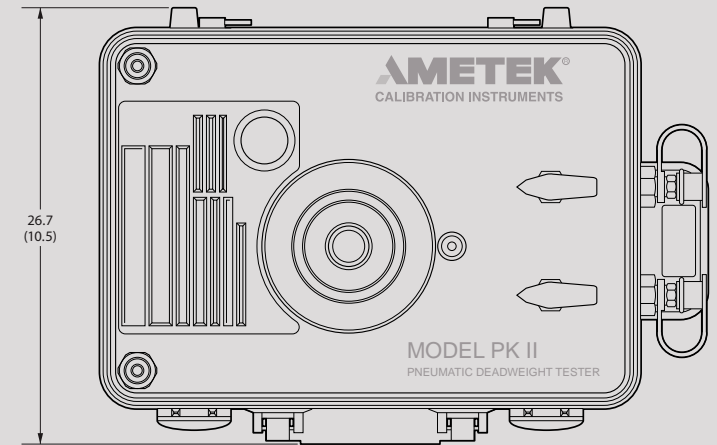
Minimum Supply Pressure: **30 psi / 206 kPa** ♦♦

Flow Rate: **1 scfh at 0.15 psi / 28 slh at 1 kPa output**

**1 scfh at 20 psi / 310 slh at 200 kPa output**

♦ ISA quality standard 7.3.

♦♦ Or 150% of desired output pressure.



ALL DIMENSIONS IN CM (IN)

Models 304 and 404.

## ENCLOSURE

Small Case Dimensions (L x W x H): **15 x 10.5 x 7 in (38.1 x 26.7 x 17.8 cm)**

Large Case Dimensions (L x W x H): **15 x 14.5 x 9 in (38.1 x 36.8 x 22.9 cm)**

Weight: **to 28 lb (12.7 kg)**

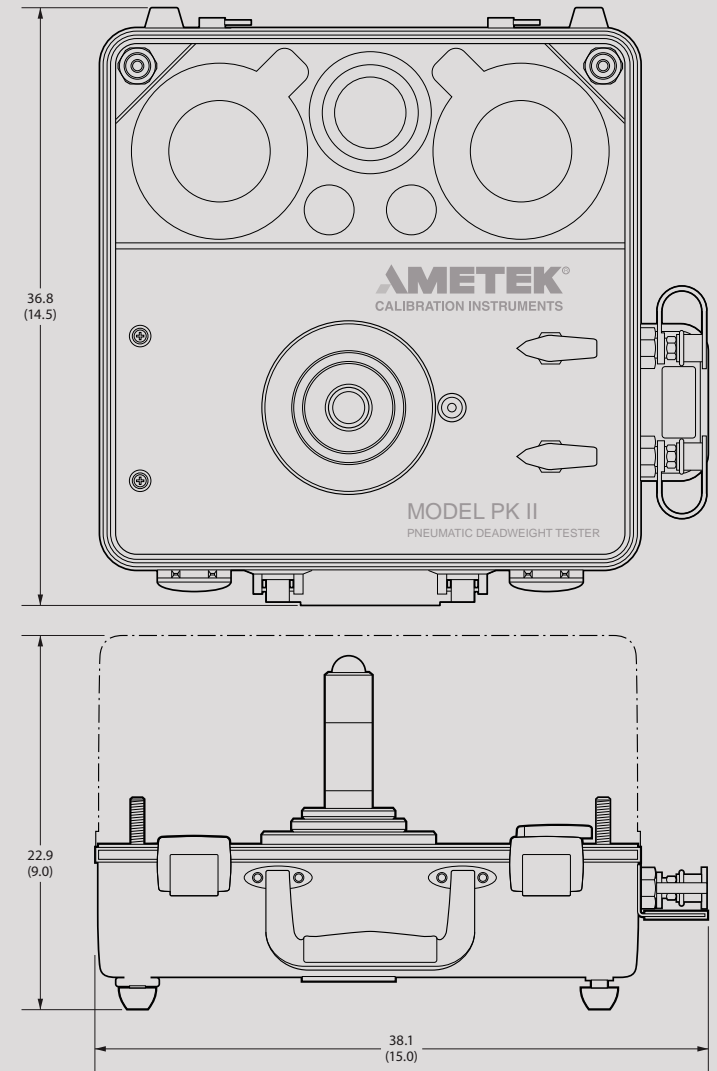
*See the Models, Specifications, and Options table for details.*

## MATERIAL AND CONNECTION

Weight Masses: **Stainless Steel (as standard)**  
**Aluminum (small incremental weights)**

Ball: **Ceramic**

Connection: **1/4" Female NPT (with installed adapter to 1/4 tube fitting)**



ALL DIMENSIONS IN CM (IN)

Models 20SS, 30SS, 250WC, 650WC, 654WC, 850WC, 854WC, 2000GM, 2010GM, 200N, 201N, 325MMHG, 500CM, 1000CM, 1500CM, 2000CM, 700MB, 2B, and 2B01.

## MODELS, SPECIFICATIONS, AND OPTIONS

Model	Certified Range	Increment	Weight Carrier and Ball Output
PK2-20-SS	1 to 20 psi	1 psi	1 psi
PK2-30-SS	1 to 30 psi	1 psi	1 psi
PK2-2000GM-SS	25 to 2000 g/cm <sup>2</sup>	25 g/cm <sup>2</sup>	25 g/cm <sup>2</sup>
PK2-2010GM-SS	10 to 2000 g/cm <sup>2</sup>	5 g/cm <sup>2</sup>	10 and 25 g/cm <sup>2</sup>
PK2-700MB-SS	10 to 700 mbar	20 mbar	20 mbar
PK2-2B-SS	0.02 to 2 bar	0.02 bar	0.02 bar
PK2-2B.01-SS	0.01 to 1 bar	0.005 bar	0.01 and 0.02 bar
PK2-200N-SS	2 to 200 kPa	2 kPa	2 kPa
PK2-201N-SS	1 to 200 kPa	0.5 kPa	1 and 2 kPa
PK2-250WC-SS	10 to 250 inH <sub>2</sub> O	10 inH <sub>2</sub> O	10 inH <sub>2</sub> O
PK2-304WC-SS*	4 to 304 inH <sub>2</sub> O	1 inH <sub>2</sub> O	4 inH <sub>2</sub> O
PK2-404WC-SS*	4 to 404 inH <sub>2</sub> O	1 inH <sub>2</sub> O	4 inH <sub>2</sub> O
PK2-650WC-SS	10 to 650 inH <sub>2</sub> O	10 inH <sub>2</sub> O	10 inH <sub>2</sub> O
PK2-654WC-SS	4 to 654 inH <sub>2</sub> O	1 inH <sub>2</sub> O	4 and 10 inH <sub>2</sub> O
PK2-850WC-SS	10 to 850 inH <sub>2</sub> O	10 inH <sub>2</sub> O	10 inH <sub>2</sub> O
PK2-854WC-SS	4 to 854 inH <sub>2</sub> O	1 inH <sub>2</sub> O	4 and 10 inH <sub>2</sub> O
PK2-500CM-SS	10 to 500 cmH <sub>2</sub> O	10 cmH <sub>2</sub> O	10 cmH <sub>2</sub> O
PK2-1000CM-SS	10 to 1000 cmH <sub>2</sub> O	10 cmH <sub>2</sub> O	10 cmH <sub>2</sub> O
PK2-1500CM-SS	10 to 1500 cmH <sub>2</sub> O	10 cmH <sub>2</sub> O	10 and 25 cmH <sub>2</sub> O
PK2-2000CM-SS	10 to 2000 cmH <sub>2</sub> O	10 cmH <sub>2</sub> O	10 and 25 cmH <sub>2</sub> O
PK-325MMHG-SS	10 mmHg to 325 mmHg	1mmHg	10 mmHg

\* Small case models. All others are large case models.

### ► Calibration and Accuracy Options

(specify standard or local gravity)

Suffix	Accuracy	Data
(omit)	± (0.05% of reading)	○
/C	± (0.05% of reading)	●
-1B	± (0.025% of reading)	○
-1B/C	± (0.025% of reading)	●
-1A	± (0.015% of reading)	○
-1A/C	± (0.015% of reading)	●

○ Standard traceable certificate.

● Includes effective area, nominal pressure, and actual pressure data.

### STANDARD DELIVERY

- Tester base with case
- Weight Set
- Manual
- NIST Traceable Certificate
- Tubing Kit [P/N K-1082](#)

### ACCESSORIES

Gauge Pointer Puller Set [P/N 1GT-99](#)

Tripod [P/N K-1562](#)

Adapter to CPF Fitting Line [P/N MPF-1/4TBM](#)

CPF Hose [P/N P/N MPH-1](#) (additional sizes and custom lengths available)

Small Incremental Weights for psi and inH<sub>2</sub>O models only

Conversion Weight Sets convert to different model (eg. psi to bar)

### COMPLEMENTARY PRODUCTS

AMETEK offers a wide range of products that work with the PKII:

- [Fittings that connect without tools, safely and without leads](#)
- [Lightweight, super flexible high pressure hose](#)
- [Digital Test Gauge](#)
- [Reference Recorder](#)
- [Pressure Calibrator](#)

## ORDERING INFORMATION

### ► Sample Part Numbers

**PK2-20-SS** ..... 0.05 % of reading, 1 to 20 psi range.

**PK2-2B-SS** -/C ..... 0.05 % of reading, 0.02 to 2 bar range, with test data.

**PK2-850WC-SS** -1A/C ..... 0.015 % of reading, 10 to 850 inH<sub>2</sub>O range, with test data.



The Right Source For Your Test & Measurement Needs

8715 Mesa Point Terrace San Diego, CA 92154  
Toll Free: 1.866.363.6634 Tel: 1.619.429.4545 Fax: 1.619.374.7012  
Email: [sales@calright.com](mailto:sales@calright.com) <http://www.calright.com>