

ACCURACY

Accuracy: $\pm(0.025\%$ of reading)

Repeatability: $\pm 0.005\%$ of reading

Temperature Coefficient: $\pm 0.00167\%$ of rdg / °C outside of 23°C

WEIGHT MASSES

Pressure Range: **10 to 1500 psi / 50 to 10 000 kPa**

Gravity: **9.80655 m/s² (International standard)**
Local Gravity (Specify)

Available Units: **psi, kg/cm², bar, and kPa**

PRESSURE SOURCE

Source: **Nitrogen or Instrument /Shop air** ♦

Maximum Supply Pressure: **1500 psi / 100 bar (1000 psi and lower models)**
2250 psi / 150 bar (models above 1000 psi)

Minimum Supply Pressure: **150 psi / 10.3 bar** ♦♦

Flow Rate: **3 scfh at 10 psi / 85 slh at 1 bar output**
100 scfh at 1500 psi / 2800 slh at 100 bar output

♦ ISA quality standard 7.3.

♦♦ Or 150% of desired output pressure.

ENCLOSURE

Tester Dimensions (L x W x H): **12.5 x 11.47 x 11.5 in (31.75 x 29.1 x 29.2 cm)**

Tester Weight: **18 to 31.5 lb (8.2 to 14.3 kg)**

Weights Case Dimensions (L x W x H): **2 x 12 x 12 in (5.1 x 30.5 x 30.5 cm)**

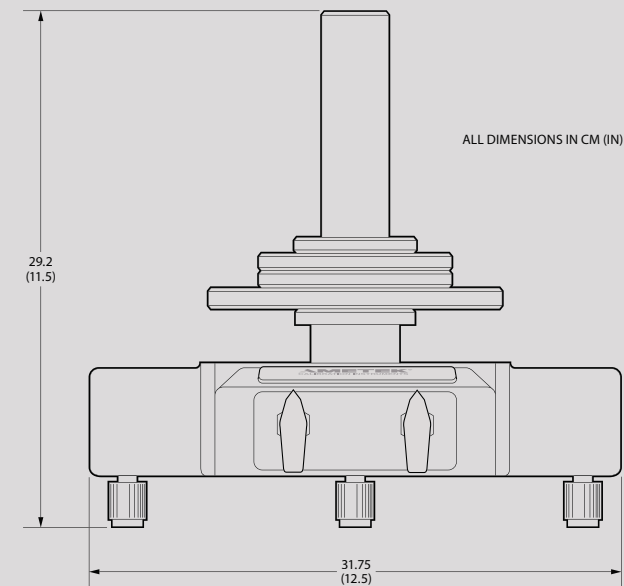
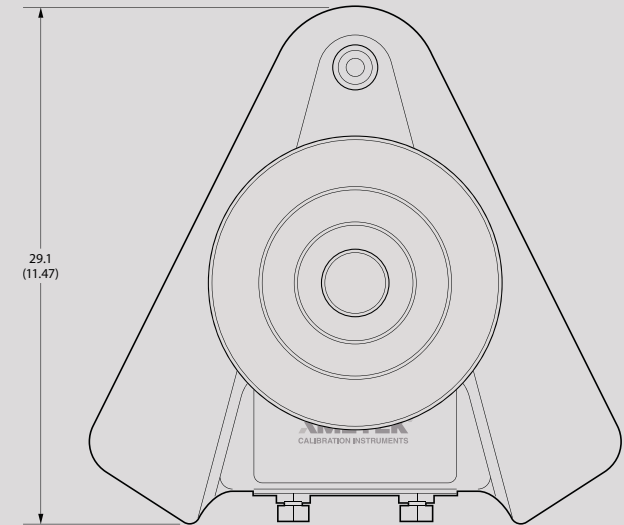
Masses: **17.5 to 61.5 lb (8 to 30 kg)**

MATERIAL AND CONNECTION

Weight Masses: **Stainless Steel (as standard)**

Ball: **Ceramic**

Connection: **7/16-20 37° AN4 Male**



MODELS, SPECIFICATIONS, AND OPTIONS

Model	Certified Range	Increment	Weight Carrier and Ball Output
HK-500	10 to 500 psi	1 psi	10 psi
HK-700	10 to 700 psi	1 psi	10 psi
HK-1000	10 to 1000 psi	1 psi	10 psi
HK-1500	10 to 1500 psi	1 psi	10 psi
HK-40M	0.5 to 40 kg/cm ²	0.1 kg/cm ²	0.5 kg/cm ²
HK-50M	0.5 to 50 kg/cm ²	0.1 kg/cm ²	0.5 kg/cm ²
HK-70M	0.5 to 70 kg/cm ²	0.1 kg/cm ²	0.5 kg/cm ²
HK-100M	0.5 to 100 kg/cm ²	0.1 kg/cm ²	0.5 kg/cm ²
HK-40B	0.5 to 40 bar	0.1 bar	0.5 bar
HK-50B	0.5 to 50 bar	0.1 bar	0.5 bar
HK-70B	0.5 to 70 bar	0.1 bar	0.5 bar
HK-100B.1	0.5 to 100 bar	0.1 bar	0.5 bar
HK-4000N	50 to 4000 kPa	10 kPa	50 kPa
HK-5000N	50 to 5000 kPa	10 kPa	50 kPa
HK-7000N	50 to 7000 kPa	10 kPa	50 kPa
HK-10000N	50 to 10 000 kPa	10 kPa	50 kPa

► Calibration and Accuracy Options

(specify standard or local gravity)

Suffix	Accuracy	Data
(omit)	± (0.025% of reading)	<input type="radio"/>
/C	± (0.025% of reading)	<input checked="" type="radio"/>

Standard traceable certificate.

Includes effective area, nominal pressure, and actual pressure data.

ORDERING INFORMATION

► Sample Part Numbers

HK-1000 10 to 1000 psi range with standard traceable certificate.

HK-40B -/C 0.5 to 40 bar range with test data.

HK-7000N -/C 50 to 7000 kPa range with test data.

STANDARD DELIVERY

- Tester base with case
- Weight Set
- Manual
- NIST Traceable Certificate

ACCESSORIES

Soft Cover P/N **K-1454**

Adapter to CPF Fitting Line P/N **4377** and P/N **MPF-AN4M**

CPF Hose P/N **MPH-1** 1 meter hose

(additional sizes and custom lengths available)

COMPLEMENTARY PRODUCTS

AMETEK offers a wide range of products that work with the HK:

- [Fittings that connect without tools, safely and without leads](#)
- [Lightweight, super flexible high pressure hose](#)
- [Digital Test Gauge](#)
- [Reference Recorder](#)
- [Pressure Calibrator](#)